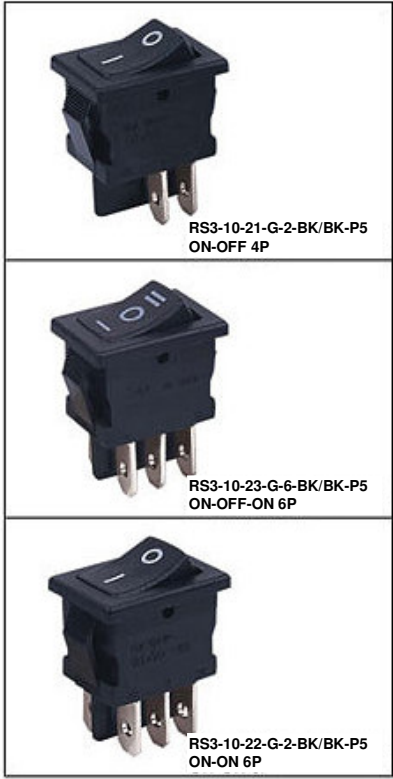


**Rocker Switch (RS3-10 Series)**

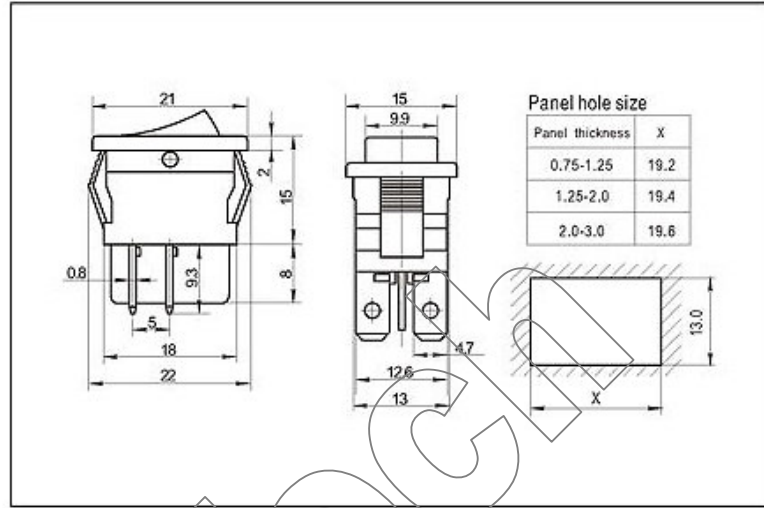


**SPECIFICATIONS**

(G): 6 (2) A 250VAC T125/55 1E4

10A 125VAC T105

**ROHS Compliance**



EXPLANATION MODEL NUMBER

**RS3-10 - 21 - G - 2 - BK/BK - P5 - 0**

